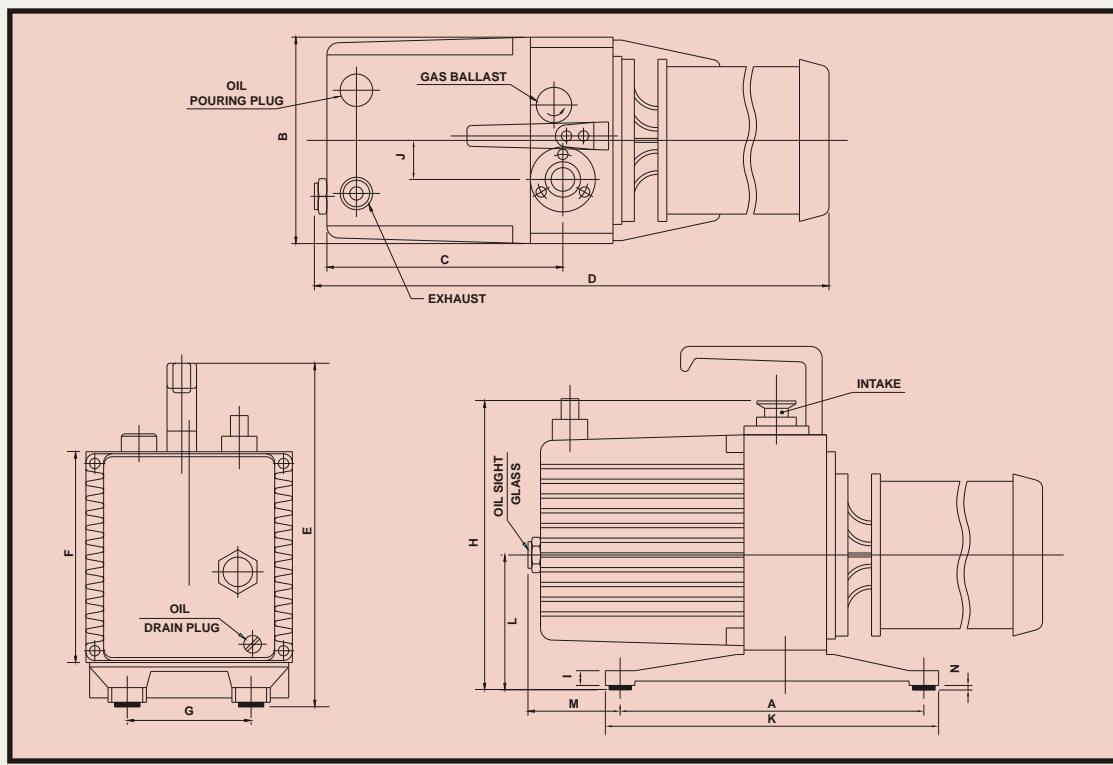


Direct Drive Rotary Vacuum Pumps



ED 30	310	215	305	625	583	341	220	130
ED 21	310	215	275	595	555	341	220	130
ED 15	310	215	275	535	555	341	220	130
ED 6	220	172	242	525	516	306	205	120
PUMP	A	B	C	1 phase crom- ption	3 phase NGEF	E	F	G
				D				

296	15	42	340	141	157.5	6
296	15	42	340	141	157.5	6
296	15	42	340	141	157.5	6
276	15	42	250	128	143	6
H	I	J	K	L	M	N

